

---

PRODUCT BROCHURE

# Cyberex<sup>®</sup> Remote Power Panel (RPP)

## Power distribution system



---

# Cyberex® – power distribution

## Remote Power Panel (RPP)

With constantly evolving demands and the increasing need to store critical information, data center systems continue to be pushed to their limits. Industry dependence on the continuity of service dictates heightened electrical system requirements kept online by multiple sources of conditioned power. The method for power distribution and circuit protection within a data center must also be taken into consideration as a key factor in system uptime.

---

### The RPP

ABB is an innovative leader in critical power switching and distribution, provides its customers with the most advanced RPP lineup in the industry. Cyberex RPPs utilize technology leading circuit protection components and a wide array of advanced circuit management options. Multiple frame options are available to fit the footprint and access parameters for your data center needs.

The Cyberex family of remote power panels (RPPs) provides power distribution solutions designed to manage the most mission critical of applications. Inherent design benefits including: current limitation, selective coordination, safety, and reliability have become the standard in Cyberex RPPs and should be demanded as a standard in all your critical distribution systems.



# Power distribution – RPP series



## Product features

- Panelboard options: Up to 240V, up to 400A, up to 168 circuits – panelboards by ABB or GE
- Input connections: main lug only or main circuit breaker
- Top or bottom entry – 24" cabinets are bottom exit only and 38" cabinets are top/bottom exit
- Multiple input capability and traditional configurations – up to 4 sources, 4 panelboards and 4 main circuit breakers
- Multiple footprint options – sizing as small as a 2' x 2' square raised floor tile
- Circuit management system provides enhanced power data collection
- Remote monitoring interface to building management system
- Welded frame door, door-in-door hinged dead front
- Optional seismic rated floor stands available
- Optional integrated IR port solutions to identify potential system issues

## Product specifications

### Electrical

Input/output	3-phase, 4-wire + ground
Input/output voltage	208/120V, 415/240V, 480/277V
Input amperage	150/225/400A
Panelboards	ABB ProLine or GE, up to (4) 42 circuit output panelboards
Source breakers	Up to 4
Neutral rating	200%

### Dimensions/weight

RPP	Width: 24" (61 cm) Depth: 26" (66.04 cm) or 38" (96.5 cm) Height: 77.75" (197.484 cm) Weight: 500–550 lbs (227–249 kg)
-----	---

### General

Natural convection cooled
Hinged dead-front panel – split panel
Single point ground

### Communications

Modbus RTU (RS-485)
Modbus TCP
Webserver

### Options

Current limiting circuit breakers
Local 6.5" color, touchscreen HMI
Branch circuit monitoring
Main-feed circuit monitoring
Surge protective devices
Plug-in or bolt-on branch circuit breakers
Plug-in or fixed mount front source breakers
Input junction boxes
Isolated ground
IR ports

### Standards

NEMA and CETL listed to CSA C22.2 No. 14
ETL listed to UL 508A
FCC compliant (part 15)

# Cyberex® RPP with ABB ProLine panelboards

## Flexibility – reliability – safety

The Cyberex® RPP with ABB ProLine panelboard provides a flexible, reliable, and safe solution for electrical distribution on the data center floor. The RPP's integral panelboard features touch safe, plug-in branch circuit breakers, designed for the most mission critical applications.



The ABB circuit breakers are current limiting branch breakers and provide the highest level of protection for sensitive downstream IT loads and the mitigation of arc flash hazard for workers. Along with providing superior short circuit current protection, these current limiting breakers are easily coordinated with upstream ABB circuit breakers, helping to eliminate the risk of cascading faults and unnecessary outages to critical loads.

Flexibility and future proofing are also inherent benefits of the RPP. The panel's touch safe plug in breakers allow for quick changes or replacement with minimal impact to the rest of the system. The RPP allows system owners to design in provisions to replace branch breakers and increase protection as their power demands increase on the rack. Proper foresight may allow system designers and data center owners to build in electrical infrastructure to support IT refreshes without the need for extended downtime.

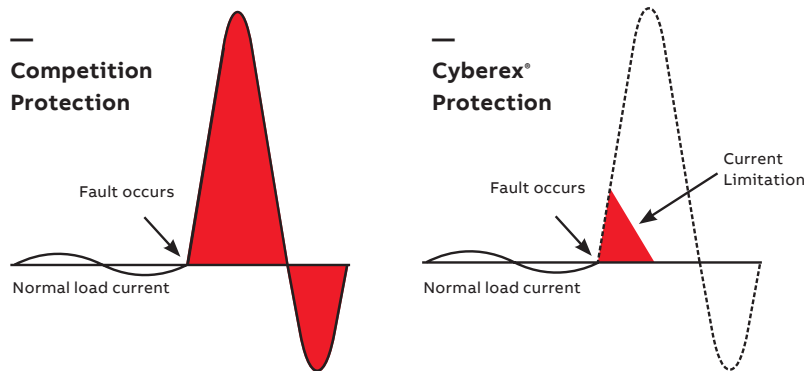
### Cyberex® RPP features

- UL listed current limiting branch circuit breakers
- IP20 touch safe
- Voltage ratings: 208/120V, 415/240V, 480/277V
- Current ratings: 225A, 400A
- 1 to 100A branch breakers at 208V
- 1 to 25A branch breakers at 480V
- Interrupting ratings: 35kA at 208V, 14kA at 480V
- Main/branch breaker coordination up to 28.6kA at 208V, 14kA at 480V
- Insulating resin encased bus
- Pluggable breaker with non-energized bolt on screw

# Demand performance

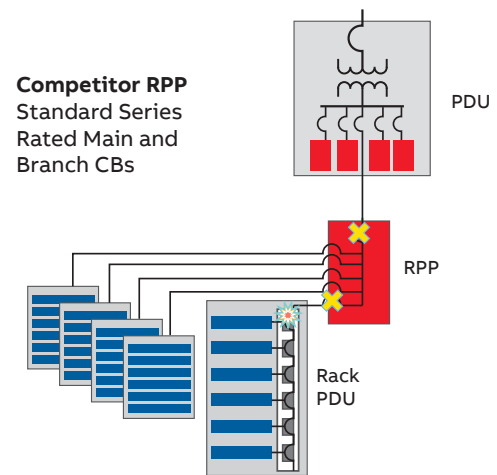
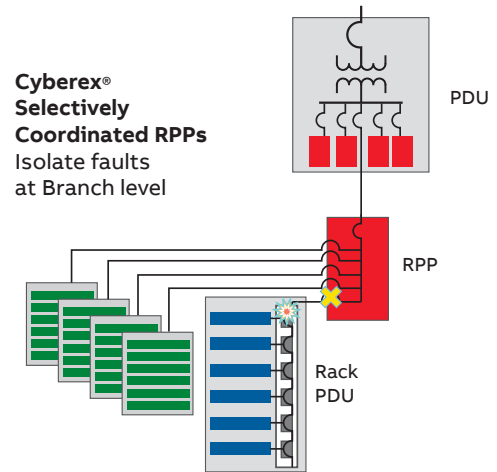
## Current limitation

ABB's utilization of current limiting circuit breakers brings a whole new level of protection and peace of mind to the distribution of electrical power on the data center floor. Two of the most notable benefits of current limitation are increased protection for downstream system components and the mitigation of arc flash hazard for workers. Both mechanical and thermal forces are drastically reduced through current limitation, which in a data center, means less potential damage or strain on the sensitive and expensive IT equipment. This heightened protection helps remove worries of extended downtime due to repairs or replacing of damaged equipment. Current limitation is also the driving factor to reducing the energy released during an arc flash event.



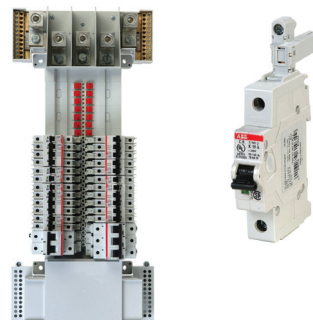
## Selective coordination

Selective coordination defines a system's ability to isolate a fault and increase system reliability. If a fault was to occur in a selectively coordinated system (Figure A) the overcurrent protective device closest to the fault will clear the fault and leave the rest of the system undisturbed. If the system was not selectively coordinated, (Figure B) like the majority of standard RPPs, the breaker closest to the fault may or may not clear the fault before upstream breakers start to open causing unnecessary loss of power to critical loads.



## Safety

Working on live electrical equipment is never recommended, however sometimes becomes a 'necessary' task due to the criticality of system loads in a data center. Cyberex RPPs significantly enhance worker safety due to its touch safe panelboard chassis and plug in current limiting branch breakers. Along with drastically reducing the shock hazard, the use of current limiting breakers significantly reduces the arc flash potential to which a worker could be exposed. Both benefits help users comply with NPFA 70E guidelines and OSHA standards.



# High density solutions

Cyberex offers the complete current limiting, selectively coordinating solution for your high power, high efficiency data center

The industry demand to increase data center efficiency and push the limits of power density at the rack has introduced new design trends. While one proposed solution, raising the distribution voltage in the whitespace, helps meet these demands, data center systems designed at higher voltages (415V, 480V) provide system owners and designers with a new set of challenges and concerns to overcome. Selective coordination, increased arc flash potential, protecting sensitive IT equipment and complying with SCCR and IR code requirements take center stage. These

heightened concerns are mainly driven by the removal of a transformer and the potential increase in available fault current when compared to traditional 208V designs. With the high available fault currents, average main and branch breaker combinations will not allow branch breakers to trip independently of the main, forcing the shutdown of an entire panelboard to clear an overcurrent on a branch circuit. This lack of coordination will in turn cause unnecessary downtime to critical server loads.



Cyberex® HPP with ABB ProLine panelboards

## Cyberex® HPP with ABB ProLine panelboards

The Cyberex HPP helps remove the electrical concerns that come along with high density data centers. As voltage increases on the data center floor so does the potential for electrical dangers. Cyberex's HPP with current limiting branch circuit breakers, helps mitigate the risk of arc flash and provides the highest level of protection for IT equipment. The resin encased bus design and touch safe plug in branch breakers reduce shock hazard and increase flexibility after installation. Inherent coordination up to moderate fault levels reduces risk of cascading faults keeping power to critical loads.

- UL listed current limiting branch circuit breakers
- Touch safe
- Voltage ratings: 208/120V, 415/240V, 480/277V
- Current rating: 225A, 400A
- 1 to 25A branch breakers at 480V
- Interrupting rating: 14kA
- Main/branch breaker coordination up to 14kA at 480V

# Cyberex® PowerView monitoring system

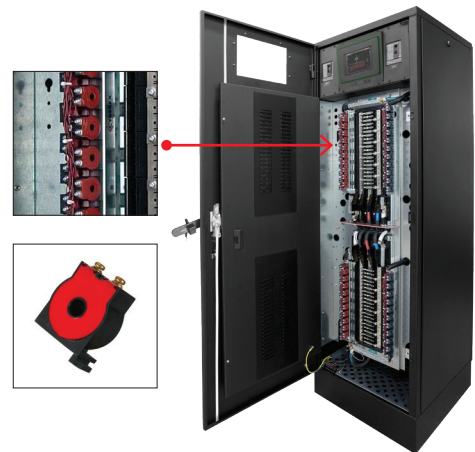
Designed for performance, flexibility and usability

Take your distribution equipment to the next level by managing your critical loads at the individual branch circuit level. Rely on Cyberex® PowerView circuit management solutions to monitor and alert your staff of potential problems before they occur. Understanding load profiles is the key to proactively managing your data center distribution system and avoiding unnecessary downtime.

- Branch circuit management – Up to six (6) 42 circuit panelboards (252 circuits)
- Sub-feed circuit management – Up to (65), 3-wire or (60), 4-wire sub-feed breakers
- Main-feed circuit management – Up to four (4) sources in multi-fed RPPs can be monitored: phases, neutral and ground



PowerView chassis



## Key features

- Revenue grade metering accuracy ( $\leq 1\%$  error)
- Complies with ANSI C12.1 standards
- Ability to customize main breaker, sub-feed breaker, panelboard, or branch circuit breaker names and/or numbers
- Modular chassis design allows for simple additions for future expansions

## Advanced communication

- Communicate valuable system data to building management systems (BMS) or local display
- Protocols available: Modbus RTU, Modbus TCP, and web server

## Monitor system parameters including:

- Voltage-current (RMS)
- MIN current
- MAX current
- kW (power)
- kVA-load
- Power factor (PF)
- Total harmonic distribution (THD)

## Configure system warnings and alarms including:

- Over/under current
- Over/under voltage
- Over kW
- Over THD
- Low PF
- Phase loss

---

# Services

## Minimize downtime and ensure optimal performance

### Service your Cyberex equipment with superior service solutions

#### Signature services

- Extended warranty
- Preventative maintenance plans
- Break fix plan
- Spare parts replenishment
- Guaranteed response times (24, 8, 4 hr)
- 24 x 7 x 365 emergency support

#### Professional services

- Start up and commissioning services
- Reliability enhancements
- Branch circuit monitoring (retrofit)
- Project management
- On-site training power academy



---

### Power Protection

5900 Eastport Boulevard  
Richmond, VA 23231-4453 USA  
Tel: +1 800 292 3739  
Fax: +1 804 236 4047

### Additional information

We reserve the right to make technical changes to the product and to the information in this document without notice. The agreed conditions at the time of the order shall apply. ABB assumes no responsibility for any errors or omissions that may appear in this document. We reserve all rights in this document and in the information contained therein. Without prior written approval from ABB, reproduction, disclosure to third parties or use of any information, in whole or in part, is strictly forbidden.

© Copyright 2018 Thomas and Betts Power Solutions, LLC. All rights reserved. Specifications subject to change without notice.



BRO-RPP-MK-0013 121718